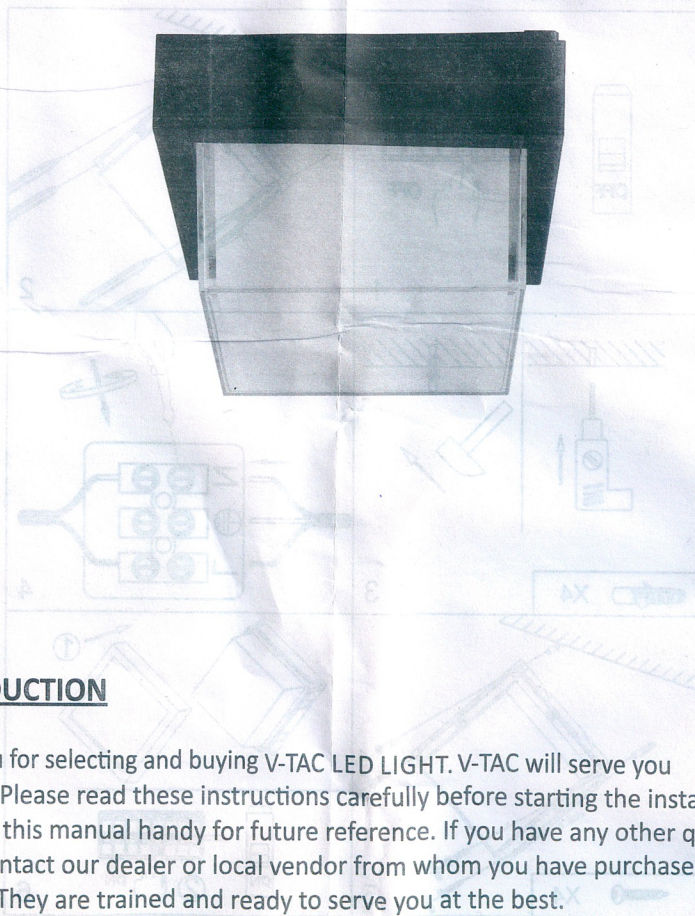


INSTALLATION INSTRUCTION

Model: VT-827

LED LIGHT



INTRODUCTION

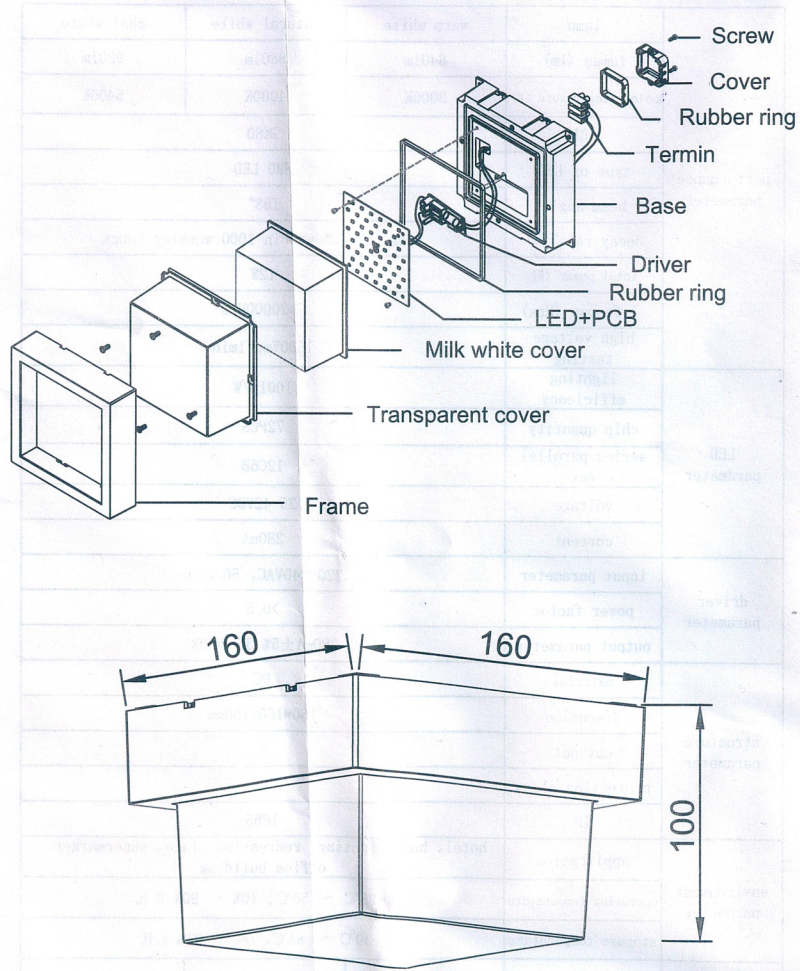
Thank you for selecting and buying V-TAC LED LIGHT. V-TAC will serve you the best. Please read these instructions carefully before starting the installation and keep this manual handy for future reference. If you have any other query, please contact our dealer or local vendor from whom you have purchased the product. They are trained and ready to serve you at the best.

TECHNICAL PARAMETERS

二、Performance & parameter of product

performance parameter	lamp	warm white	natural white	cool white
	lumen (lm)	840lm	880lm	920lm
	color temperature (K)	3000K	4000K	6400K
	CRI	≥80		
	type of LED	SMD LED		
	beam angle	158°		
	decay rate (%)	less than 3% within 1000 working hours		
	total power (W)	12W		
	lifespan (Hrs)	≥20000Hrs		
	high voltage testing	1500Vac/1min		
LED parameter	lighting efficiency	100lm/W		
	chip quantity	72PCS		
	series-parallel way	12C6B		
	voltage	25-42VDC		
	current	280mA		
driver parameter	input parameter	220-240VAC, 50/60Hz		
	power factor	>0.5		
	output parameter	280mA±5% 36-40VDC		
structure parameter	material	PC		
	dimension	160*160*100mm		
	cut-out	\		
	protection class	II		
environment parameter	IP	IP65		
	application	hotel、home-lighting、recreation place、supermarket、office building		
	operating temperature	-25℃ ~ 50℃、10% ~ 90% R.H.		
packing specification	storage temperature	-30℃ ~ 85℃、0% ~ 95% R.H.		
	Qty/Ctn	carton size	N. W	G. W
			kg	

STRUCTURE & SIZE



INSTALLATION INSTRUCTION

Installation instructions:

- 1, Switch off the power.
- 2, To install and fix the fixture according to below steps.
- 3, Connect the power (220-240V0 if all the steps are done properly without any mistakes).

